

Operating Tables

“LEADER IN ANIMAL CARE PRODUCTS FOR OVER 60 YEARS”

Classic Pedestal Flat-Top Operating Tables.....	2
Classic Pedestal V-Top Operating Tables.....	2
Elite Flat-Top Operating Tables.....	3
Elite V-Top operating Tables.....	3
Regal Flat-Top Operating Tables.....	4
Regal V-Top Operating Tables.....	4
Anesthesia Tables.....	5
Utility Tables.....	5
Over Instrument Tables.....	5
Thoracic Positioner.....	6
Head Extension for V-Top Table	6
Dual-Tilt Retrofit Kit for Classic/Elite Operating Tables.....	6
Stainless Steel Adjustable Height I.V. Poles.....	6
Acess-A-Rail System.....	7
Mayo Stands.....	8
Mobile Solution Stands.....	8
Buckets.....	8

(800) 323-7366 • (847) 537-9320 • Fax (847) 537-9061
www.suburbansurgical.com
sales@suburbansurgical.com

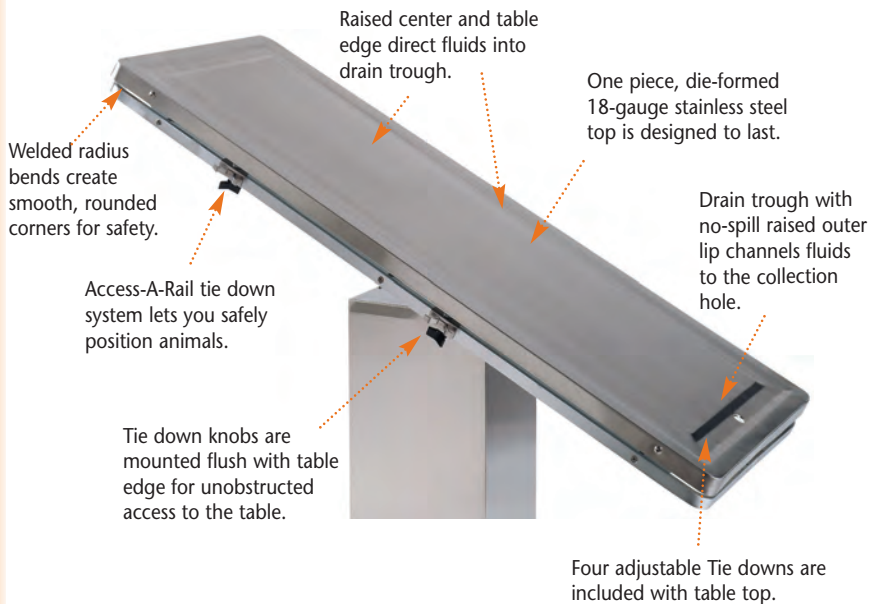
275 Twelfth Street, Wheeling, IL 60090

Section 14

All intellectual material, including the text, graphics and other components of this catalog are Copyrighted by SSCI.
Any use or duplication of these intellectual materials, without written consent by SSCI, is strictly forbidden.

Stainless Steel Operating Table Tops

CHOOSE AN OPERATING TABLE TOP ...

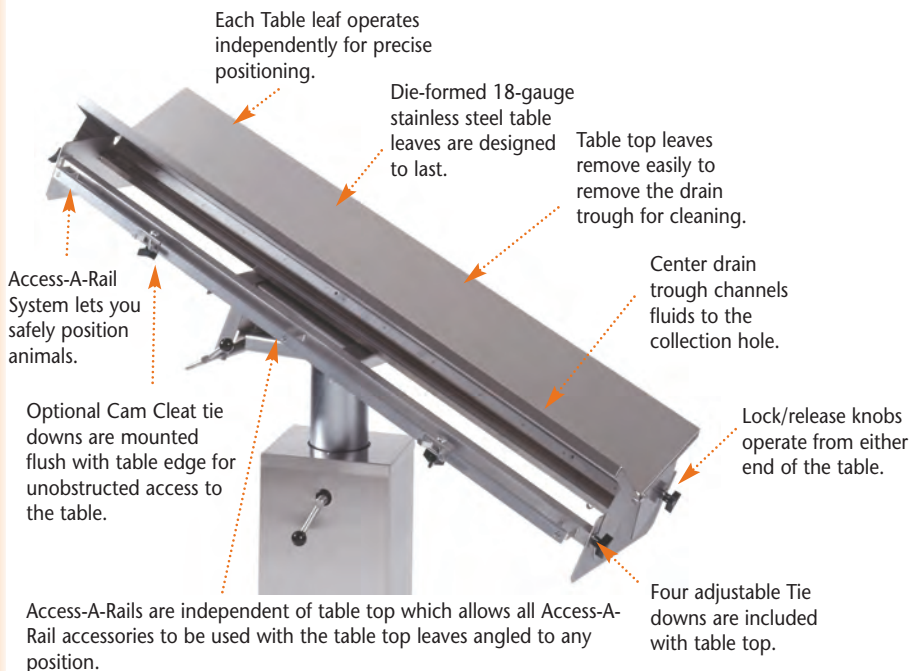


Flat Operating Table Top

Our Flat Operating Table Top is simply the strongest operating table top available today. It is ideal for most procedures.

The uniquely designed rigid stainless steel top has a slightly raised center to direct fluids to a trough at the outer edge of the table top surface. The trough then channels fluids to the drain/collection hole at one end to allow fluids to drain away from your operating site.

For comfort and safety, all our flat operating table tops have smooth, rounded corners and a satin finish that is easy on the eyes even with bright operating lighting. Stainless steel top is flanged down and hemmed to eliminate any sharp edges. Our operating table tops also feature our access-a-rail tie-down system to help you keep animals safely positioned during surgical procedures.



V-Style Operating Table Top

For procedures requiring precise animal positioning, choose a V-style operating table top. Features two die-formed stainless steel table leaves which can be positioned independently to let you create the angle that holds the animal just right for the procedure.

Locking/release knobs on both table leaves are located at each end of the table for convenience. Satin finish is easy on the eyes even with bright operating lighting. Drain trough under the center of table directs fluids to a drain/collection hole to keep the operating site clear. Table top leaves can be removed to allow you to remove the drain trough for cleaning.

Our table tops also feature our access-a-rail tie-down system to help you keep animals safely positioned during surgical procedures.

Dial control lets you adjust the temperature.

Indicator light shows when table is heating.



Large, bright LCD display gives you an accurate reading of the current table temperature.

On/off switch lights up when table is on.

Heated Operating Table Tops

Both our Flat or V-style operating table tops are available in a heated style to help your patients maintain a constant body temperature during procedures. Continuous, even heat is distributed over the table top surface for greater animal comfort. The temperature you select is shown in the LCD display, and an indicator light shows when the temperature is reached. Control unit is mounted conveniently under the top edge of the operating table. Requires 120V AC ▲ power.

Classic Pedestal Operating Tables

Designed with simplicity in mind, our Classic Pedestal Operating Tables feature a durable, stainless steel manual tilt

mechanism for quick and easy adjustments.

Select either Flat Operating Top or V-style Operating Top styles with or without heat. All

Flat-Top table styles are available in either a 46.375-in. (117.79cm) wide model or 58.375-in. (148.27 cm) wide model and have a fixed table height of 36.50-in. (92.71cm) from the floor.

All V-Top table styles are available in either a 46-in. (116.84cm) wide model or 58-in. (147.32cm) wide model and have a fixed table height of 38.00-in. (96.52cm) from the floor.



Classic Pedestal Flat-Top Operating Table

Classic Pedestal Flat-Top Operating Tables

All tables measure 46.375-in. (117.79cm) or 58.375-in. (148.27cm) wide x 36.50-in. (92.71cm) high x 22.375-in. (56.83cm) deep overall.

P/N	DESCRIPTION
46.375-in. (117.79cm) wide tops	
13131-02-HDFPDL	Classic Pedestal Flat Top Table with Access-A-Rail System
13133-02-HDFPDL	Classic Pedestal Heated Flat-Top Table, 120V AC ▲ with Access-a-Rail System
58.375-in. (148.27cm) wide tops	
13131-02-IZFPDL	Classic Pedestal Flat Top Table with Access-a-Rail System
13133-02-IZFPDL	Classic Pedestal Heated Flat-Top Table, 120V AC ▲ with Access-a-Rail System

Classic Pedestal V-Top Operating Tables

All tables measure 46.00-in. (116.84cm) or 58.00-in. (147.32cm) wide x 38.00-in. (96.52cm) high x 18.65-in. (47.37cm) deep overall.

P/N	DESCRIPTION
46-in. (116.84cm) wide tops	
13135-02-HDFPCX	Classic Pedestal V-Top Table with Access-A-Rail System
13137-02-HDFPCX	Classic Pedestal Heated V-Top Table, 120V AC ▲ with Access-A-Rail System
58-in. (147.32cm) wide tops	
13135-02-IZFPCX	Classic Pedestal V-Top Table with Access-A-Rail System
13137-02-IZFPCX	Classic Pedestal Heated V-Top Table, 120V AC ▲ with Access-A-Rail System



Classic Pedestal Operating Table Base

Our simplest, most economical Operating Table Base has a fixed height and a manual table top tilt mechanism. Mounting bracket/tilt mechanism is made entirely of stainless steel for unsurpassed strength and durability. Table top may be locked in any position from horizontal to near vertical.

Classic Pedestal Operating Table Base Features

- Adjustable floor levelers on all four corners help ensure table is steady. Order optional casters for mobility.
- Manual dual-tilt mechanism is made entirely of stainless steel for durability.
- Chrome-plated 5-in. (12.70cm) diameter column provides rigid support.
- Positive locking handle ensures table top stays at the desired angle.
- Weighted stainless steel base provides superior stability.
- Flat base may also be used as a footrest.

▲ 220V requires step-down transformer. Contact SSCl.

Elite Operating Tables



**Elite Flat-Top
with
DUAL TILT Mechanism**

The elite table is the one to choose when your needs require different table heights for

different procedures or surgeons. Convenient pump-action foot pedals let you change the table height quickly and easily. Locking handle ensures the table stays at the desired height. Durable, stainless steel manual tilt mechanism with quick lock/release handle lets you change the table top angle from horizontal to almost vertical and rotate it 360 degrees to meet your needs. Select either flat-top or v-top styles with or without heat. All flat-top table styles are available in either a 46.375-in. (117.79cm) wide model or a 58.375-in. (148.27cm) wide model. All v-top table styles are available in either a 46-in. (116.84cm) wide model or 58-in. (147.32cm) wide model.



**Elite Operating
Table Base**

Select the Elite Base for an adjustable height table with a manual tilting top. Convenient pump-action foot pedals activate the hydraulic lifting mechanism to smoothly raise and lower the table. Table top also may be rotated a full 360 degrees. Mounting bracket/tilt mechanism is made entirely of stainless steel for unsurpassed strength and durability. Table top may be locked in any position from horizontal to near vertical.

Elite Flat-Top Operating Tables

All tables measure 46.375-in. (117.79cm) or 58.375-in. (148.27cm) wide and can be raised or lowered from 33.50-in to 45.50-in (85.09cm to 115.57cm) high x 22.375-in. (56.83cm) deep overall.

P/N	DESCRIPTION
46.375-in. (117.79cm) wide tops	
13161-02-HDAADL	Elite Flat-Top Operating Table with Access-a-Rail System
13163-02-HDAADL	Elite Heated Flat-Top Operating Table, 120V AC ▲ with Access-a-Rail System
58.375-in. (148.27cm) wide tops	
13161-02-IZAADL	Elite Flat-Top Operating Table with Access-a-Rail System
13163-02-IZAADL	Elite Heated Flat-Top Operating Table, 120V AC ▲ with Access-a-Rail System

Elite V-Top Operating Tables

All tables measure 46.00-in. (116.84cm) or 58.00-in. (147.32cm) wide and can be raised or lowered from 35.00-in to 47.00-in (88.90cm to 119.38cm) high x 18.65-in. (47.37cm) deep overall.

P/N	DESCRIPTION
46-in. (116.84cm) wide tops	
13165-02-HDAACX	Elite V-Top Operating Table with Access-a-Rail System
13167-02-HDAACX	Elite Heated V-Top Operating Table, 120V AC ▲ with Access-a-Rail System
58-in. (147.32cm) wide tops	
13165-02-IZAACX	Elite V-Top Operating Table with Access-a-Rail System
13167-02-IZAACX	Elite Heated V-Top Operating Table, 120V AC ▲ with Access-a-Rail System

Elite Operating Table Base Features

- Adjustable floor levelers on all four corners help ensure table is steady. Order optional casters for mobility.
- Pump-action foot pedals operate the hydraulic lift to let you easily raise and lower the table top.
- Column locking handle releases table top to be raised, lowered or rotated 360 degrees.
- Manual dual-tilt mechanism is made entirely of stainless steel for durability.
- Positive locking handle ensures table top stays at the desired angle.
- Weighted stainless steel base provides superior stability.
- Flat base may also be used as a footrest.

▲ 220V requires step-down transformer. Contact SSCI.

Regal Operating Tables

Adjusting the table height and table top angle is easy with our electrically powered Regal tables. Just a touch of a pedal allows you to conveniently lift, lower and tilt the table top. Regal tables feature a screw lifting mechanism and screw tilt mechanism, both designed to hold the table top steady at the height and angle you select. Regal tables also feature a 120V AC ▲ outlet built into the base to allow you to power surgical accessories during procedures. Choose either flat-top or v-top styles with or without heat. All flat-top table styles are available in either a 46.375-in. (117.79cm) wide model or a 58.375-in. (148.27cm) wide model. All v-top table styles are available in either a 46-in. (116.84cm) wide model or 58-in. (147.32cm) wide model.



Regal Flat-Top Operating Table

Regal Flat-Top Operating Tables

All tables measure 46.375-in. (117.79cm) or 58.375-in. (148.27cm) wide and can be raised or lowered from 31-in to 43-in (78.74cm to 109.22cm) high x 22.375-in. (56.83cm) deep overall.

P/N	DESCRIPTION
46.375-in. (117.79cm) wide tops	
13191-00-HDAADL	Regal Flat-Top Operating Table, 120V AC ▲ with Access-a-Rail System
13196-00-HDAADL	Regal Heated Flat-Top Operating Table, 120V AC ▲ with Access-a-Rail System
58.375-in. (148.27cm) wide tops	
13191-00-IZAADL	Regal Flat-Top Operating Table, 120V AC ▲ with Access-a-Rail System
13196-00-IZAADL	Regal Heated Flat-Top Operating Table, 120V AC ▲ with Access-a-Rail System



Regal Operating Table Base

The electric height adjustment and electric tilting mechanism on our Regal Base give you greater positioning convenience. Electrically operated pedals activate the screw lifting mechanism to smoothly raise and lower the table and tilt and lock the table top at any angle from horizontal to near vertical. Mounting bracket/tilt mechanism is made of stainless steel for unsurpassed strength and durability. For added convenience, a heavy-duty 120V AC ▲ electrical outlet is built into base to power surgical accessories during procedures or provide power for a heated operating table top.

Regal V-Top Operating Tables

All tables measure 48.125-in. (122.24cm) or 60.125-in. (152.72cm) wide and can be raised or lowered from 32.50-in to 44.50-in (82.55cm to 113.03cm) high x 19-in. (48.26cm) deep overall.

P/N	DESCRIPTION
46-in. (116.84cm) wide tops	
13201-00-HDAACX	Regal V-Top Operating Table, 120V AC ▲ with Access-a-Rail System
13206-00-HDAACX	Regal Heated V-Top Operating Table, 120V AC ▲ with Access-a-Rail System
58-in. (147.32cm) wide tops	
13201-00-IZAACX	Regal V-Top Operating Table, 120V AC ▲ with Access-a-Rail System
13206-00-IZAACX	Regal Heated V-Top Operating Table, 120V AC ▲ with Access-a-Rail System

Elite Operating Table Base Features

- Adjustable floor levelers on all four corners help ensure table is steady. Order optional casters for mobility.
- Convenient foot switch can be used on either side of the table to easily raise, lower and tilt the table top.
- Heavy-duty 120V AC ▲ electrical outlet is built into right side of base.
- Stainless steel covered column houses electric lift and tilt mechanisms.
- Electric tilt mechanism is operated by convenient foot pedals.
- Weighted stainless steel base provides superior stability.
- Flat base may also be used as a footrest.

▲ 220V requires step-down transformer. Contact SSCI.



Anesthesia/Utility Table

These utility tables feature built-in drawers to keep your instruments and treatment supplies clean, organized and easily accessible wherever you need them within your facility. Type 304 stainless steel construction offers long-lasting durability with easy care. Drawers are a full 4 in. (10.16cm) deep and feature a friction latch to stay closed while table is being moved. Ball-bearing slides allow drawer to open fully, yet feature a positive stop to prevent drawers from being removed accidentally.



All welds are ground smooth and buffed to a smooth, bright polished finish.

Tubular stainless steel legs are welded to drawer housing and shelves for outstanding strength.

Retaining rail around three sides of top surface help keep supplies in place during transit.

Non-marking 3-in. (7.62cm) diameter ball-bearing swivel casters let you easily roll Table where it is needed.

1 Drawer Utility Table

P/N	OVERALL SIZE	
	Inches	Centimeters
108495-00	20.750W x 35.656H x 16.375D	52.705W x 90.57H x 41.59D

Over Instrument Table

Use this Table to keep surgical instruments, supplies, even monitoring equipment conveniently close at hand during procedures. Manufactured entirely of durable Type 304 stainless steel, our Over Instrument Table features a mobile telescoping base for versatility. Plus, our conveniently-designed crank operates from either side of the Table to raise top height from 39-in. to 62-in. (99.06cm to 157.48cm). Table top surface measures a full 40-in. long x 23-in. wide (101.60cm long x 58.42cm wide) to hold an assortment of supplies. And the raised back rail keeps equipment from sliding off accidentally. Rolls smoothly on 3-in. (7.62cm) diameter non-marking casters to allow you to move Table into position easily. Two casters have brakes for safety.

Raised back keeps instruments from sliding off accidentally.

Stainless steel top has a satin finish.

Telescoping legs raise table height from 39-in. to 62-in. (99.06cm to 157.48cm).

33-in. (83.82cm) wide clearance between legs allows Table to easily straddle operating tables.

Caster brakes keep Table safely in position.



Over Instrument Table can be raised and lowered to adjust to the height of your operating table.

P/N	DIMENSIONS	
	Inches	Centimeters
108431-23	40W x 39 to 62H x 23D	101.60W x 99.06 to 157.48H x 58.42D

Accessories for Operating Table



Thoracic Positioner

An essential accessory for positioning smaller animals on our Flat Top Operating Tables. Made of our high quality stainless steel with non-skid feet for safety.

P/N	DESCRIPTION	
	Inches	Centimeters
13220-00-BPANBV	12W x 3.5H x 10.5D	30.48W x 8.89H X 26.67D



Head Extension for V-Top Table

Stainless steel extension attaches easily to your V-style Operating Table Top to allow you to comfortably accommodate larger animals. Removes quickly and easily when not needed.

P/N	DESCRIPTION	
	Inches	Centimeters
13221-00-CIAFBX	12.5W X 15.25D	31.75W x 38.73D



Dual-Tilt Retrofit Kit for Classic & Elite Operating Tables

Stainless steel dual-tilt mechanism allows you to convert your existing Classic or Elite Operating Table to tilt from 20° on one side to +45° on the other side. See page 9 in this section.

P/N	DESCRIPTION
13222-02-AAAAAA	Dual-Tilt Retrofit Kit



Stationary IV Pole
P/N 13238-00-AAAAAA



Pivoting IV Pole
P/N 13239-00-AAAAAA

Stainless Steel Adjustable Height IV Poles

Two-hanger IV Poles attach directly to your Access-A-Rail Operating Table System to free up floor space around the Operating Table.

Stationary IV Pole remains parallel to Operating Table Top, and is designed for procedures that do not require tilting the Table Top.

Pivoting IV Pole has a specially designed cleat to keep the pole perpendicular to the floor even when Operating Table Top is tilted. Both styles adjust in height for optimum delivery of IV solutions.

P/N	DESCRIPTION
13238-00-AAAAAA	Stationary IV Pole
13239-00-AAAAAA	Pivoting IV Pole

Access-A-Rail Operating Table Systems

Adjustable Height Cam Cleat Tie-Downs

Designed to give you greater positioning flexibility. Includes adjustable-height stainless steel arms with cleats to attach to Access-A-Rails and two Cam Cleat Tie-downs for positioning patients. Package of two.

P/N	DESCRIPTION
13237-00-AAAAAA	Pkg. of two Adjustable-height Cam Cleat Tie-downs



Over-The-Table Restrainer Assembly

Stainless steel supports attach to Access-A-Rails and hold a stainless steel rail that spans the width of your Operating Table to give you upper restraint capability when needed. Supports and upper rail adjust in height for exceptional flexibility. Includes four rail cleats. To use as shown here, order two additional Cam Cleat Tie-downs below.

P/N	DESCRIPTION
13242-00-AAAAAA	Over-the-Table Restrainer Assembly



Cam Cleat Tie-Downs

Order additional Cam Cleat tie-downs to get even more versatile positioning capability from your Access-A-Rail Operating Table System and accessories. Package of two cam cleats.

P/N	DESCRIPTION
13236-00-AAAAAA	Package of two Cam Cleat Tie-downs



Stainless Steel Rail Extension

A Rail Extension allows you to place Tie-downs or other accessories slightly away from the table and give you better access to the surgical site. Includes cleat for attaching to Access-A-Rails.

P/N	DESCRIPTION
13232-00-CHAAAA	Pkg. of two Rail Extensions



Stainless Steel Adjustable Height Instrument Tables

Attach an Instrument Table directly to your Access-A-Rail Operating Table System to keep supplies close at hand and free up floor space around the Operating Table.

Stationary Instrument Table remains parallel to Operating Table Top, and is designed for procedures that do not require tilting the Table Top.

Pivoting Instrument Table has a specially designed cleat to keep table parallel to the floor even when Operating Table Top is tilted. Both styles adjust in height for convenience. Tray removes easily for organizing supplies before procedures and for cleaning. For greater convenience, order additional trays below.

P/N	DESCRIPTION
13240-00-AAAAAA	Stationary Instrument Table
13241-00-AAAAAA	Pivoting Instrument Table
021902P	Extra Instrument Table Trays



Stationary Instrument Table P/N
13240-00-AAAAAA

Pivoting Instrument Table P/N
13241-00-AAAAAA

Solution Stands and Sponge Receptacles

Sturdy, all stainless steel Mayo Stands feature a heavy, weighted base to ensure unflinching balance and extraordinary stability. Choose our Regular, two-caster model with two extended support feet, or our Emergency model with three casters to allow you to move the Mayo Stand more quickly to where it is needed. Both styles feature heli-arc welded polished joints for superior strength and long lasting stability. The Type 304 stainless steel tray top offers plenty of space for supplies and removes easily for cleaning and sterilizing. Smooth-rolling casters make it easy to move our Mayo Stands throughout your facility. Both models are offered in two tray top sizes in Foot-operated or Hand-operated styles to suit your needs.



Foot-Operated Mayo Stands



Hand-Operated Mayo Stands

P/N FOOT OPERATED	TRAY SIZE (WxD) Inches		OVERALL SIZE (WxD) Inches		P/N HAND OPERATED	TRAY SIZE (WxD) Inches		OVERALL SIZE (WxD) Inches	
		Centimeters		Centimeters			Centimeters		Centimeters
Regular					Regular				
108226-00	19.125 x 12.625	48.58 x 32.07	19.50 x 17.50	49.53 x 44.45	108246-00	19.125 x 12.625	48.58 x 32.07	20.875 x 17.50	53.02 x 44.45
108228-00	21.250 x 16.250	53.98 x 41.28	21.625 x 17.50	54.93 x 44.45	108248-00	21.250 x 16.250	53.98 x 41.28	23.000 x 17.50	58.42 x 44.45
Emergency					Emergency				
108231-00	19.125 x 12.625	48.58 x 32.07	19.50 x 17.50	49.53 x 44.45	108251-00	19.125 x 12.625	48.58 x 32.07	20.875 x 17.50	53.02 x 44.45
108233-00	21.250 x 16.250	53.98 x 41.28	21.625 x 17.50	54.93 x 44.45	108253-00	21.250 x 16.250	53.98 x 41.28	23.000 x 17.50	58.42 x 44.45
Additional Mayo Tray					Additional Mayo Tray				
021905P	19.125 x 12.625	48.58 x 32.07	19.50 x 17.50	49.53 x 44.45	021905P	19.125 x 12.625	48.58 x 32.07	19.50 x 17.50	49.53 x 44.45
021906P	21.250 x 16.250	53.98 x 41.28	21.625 x 17.50	54.93 x 44.45	021906P	21.250 x 16.250	53.98 x 41.28	21.625 x 17.50	54.93 x 44.45

Mobile Solution Stands

Convenient Mobile Solution Stands are designed to keep 7-quart(s) (6.62-liter) round basin close at hand. Sturdy frame is made of 1-in. (2.54cm) diameter Type 304 stainless steel tubing, heli-arc welded at all joints for extra strength. Welds are buffed and polished to a bright shine. Comes complete with one or two 7-quart (6.62-liter) round basin(s) and four 3-in. (7.62cm) diameter non-marking, swivel casters.



Mobile Solution Stand with One Basin and Cross Brace



Mobile Solution Stand with Two Basins and Shelf

P/N	DESCRIPTION/DIMENSIONS
108270-00	Stand with Cross Brace; one 7-qt. (6.62-liter) Round Basin 13.88W X 34.00H X 13.88D in. (35.26W X 86.36H X 35.26D cm)
108271-00	Stand with Shelf; one 7-qt. (6.62-liter) Round Basin 13.88W X 34.00H X 13.88D in. (35.26W X 86.36H X 35.26D cm)
108272-00	Stand with Cross Brace; two 7-qt. (6.62-liter) Round Basin 29.88W X 34.00H X 13.88D in. (75.90W X 86.36H X 35.26D cm)
108273-00	Stand with Shelf; two 7-qt. (6.62-liter) Round Basin 29.88W X 34.00H X 13.88D in. (75.90W X 86.36H X 35.26D cm)
021758P	Additional 7-quart (6.62-liter) Round Basin

Mobile Kick Bucket

Durable heli-arc welded stainless steel frame with molded rubber pads holds a 13-quart (12.30-liter) stainless steel bucket securely. Non-marking 2-in. (5.08cm) diameter casters swivel for superior mobility. Vinyl wrap-around bumper protects frame and your facility's furniture and walls from damage. Measures 13.50-in. diameter x 14-in. high (34.29cm diameter x 35.56cm high) overall.



P/N	DESCRIPTION
108140-00	Includes 13-quart (12.30-liter) Bucket

Bucket

An indispensable component of any surgical suite. Heavy-duty stainless steel bucket may be used under collection holes on operating tables or as an extra or replacement bucket for Solution Stands and Kick Bucket. Swinging handle folds out of the way.



P/N	DESCRIPTION
021876P	13 quart (12.30-liter) Bucket



www.suburbansurgical.com